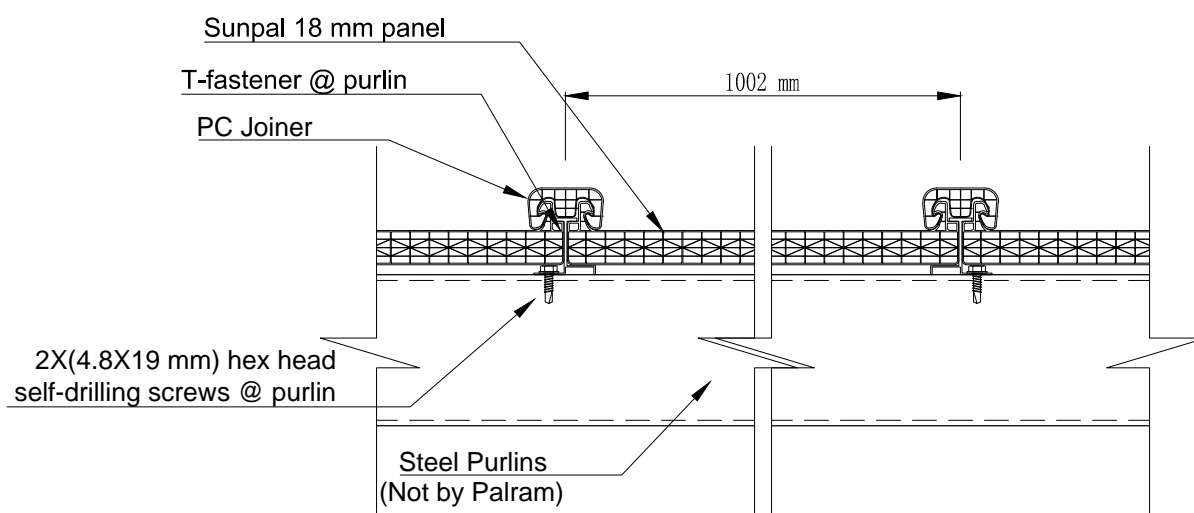


Remark : The detail must to be approved by structural engineer .

## Sunpal 10mm typical roof installation

1:4



Remark : The detail must to be approved by structural engineer .

## Sunpal 18mm typical roof installation

1:4



Palram Industries (1990) Ltd.  
 Technical Support Department  
 Ramat Yohanan 30035, Israel  
 Tel ▶ 972-4-8459900  
 Fax ▶ 972-4-8444012  
 E-Mail ▶ Palram@palram.com  
 Website ▶ www.palram.com

Project Name :

Drawing Name:

Sunpal typical roof installation

Drawn By:

Alexey Panfilov

Date	Revision	App. By
15.6.15	A	Tal Furman

Scale: 1:4

A3